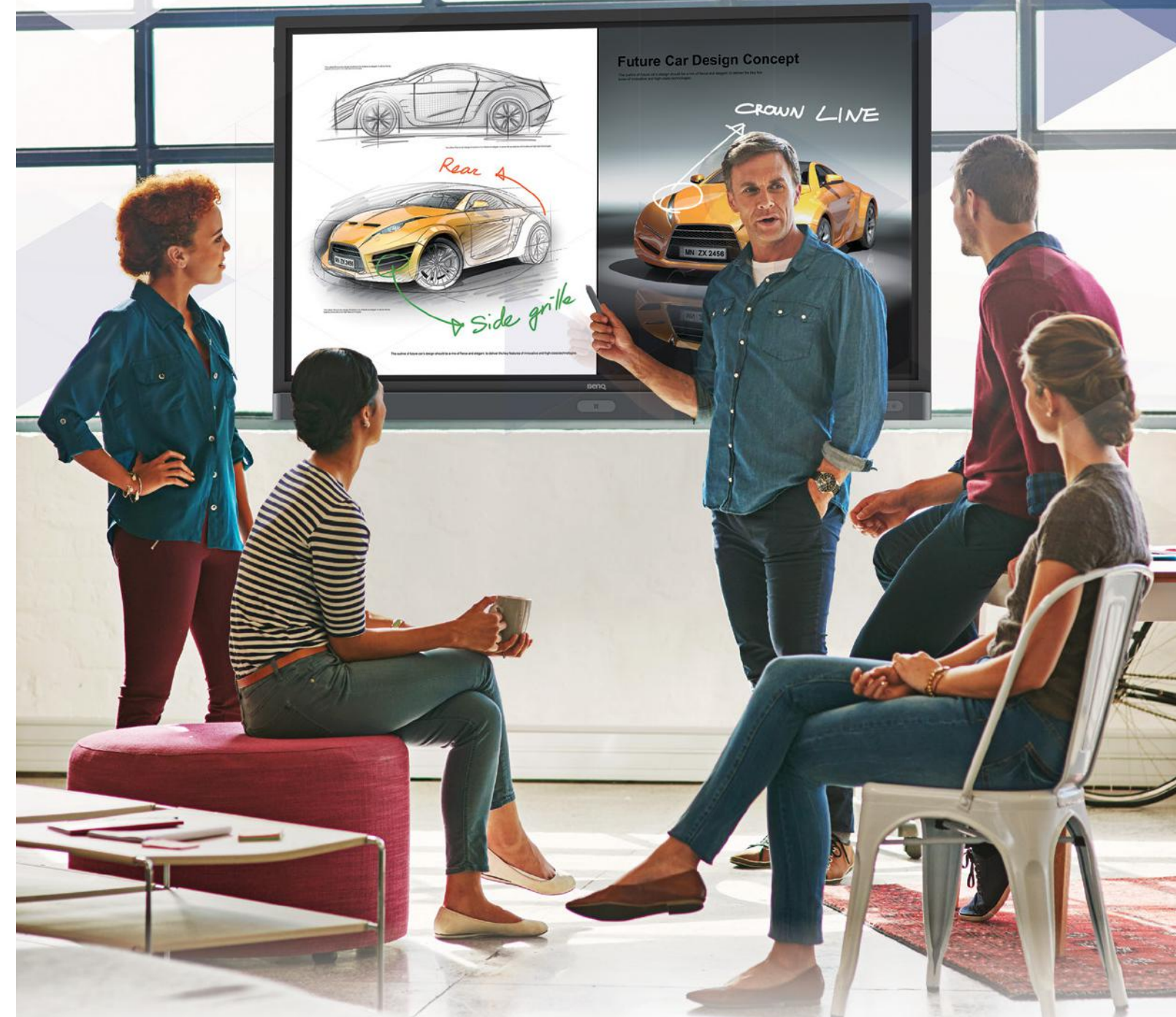


# Build Team Connections through Efficient Collaboration



Because it matters

Dealer's Stamp



From Start to Finish :The One-Stop Display Solution for  
Efficient Meetings Beyond Borders and Boundaries



Because it matters

<p><b>Headquarters</b> BenQ Corporation 16 Jihu Road, Neihu, Taipei 114, Taiwan Tel : +886-2-2727-8899 Fax : +886-2-2656-2438</p>	<p><b>Asia Pacific</b> BenQ Asia Pacific Corp. 12 Jihu Road, Neihu, Taipei 114, Taiwan Tel : +886-2-2727-8899 Fax : +886-2-2656-2438</p>	<p><b>China</b> BenQ (IT) Co., Ltd. 181 Zhuyuan Road, Suzhou New District, Suzhou, China Tel : +86-512-6807-8800 Fax : +86-512-6809-7010</p>	<p><b>North America</b> BenQ America Corp. 3200 Park Center Drive, Suite 150 Costa Mesa, CA 92626 U.S.A. Tel : +1-714-559-4900 Fax : +1-714-557-0200</p>	<p><b>Europe</b> BenQ Europe B.V. Meerenakkerweg 1-17, 5652 AR Eindhoven, The Netherlands Tel : +31 (0) 88-888-9200 Fax : +31 (0) 88-888-9299</p>	<p><b>Latin and Central America</b> BenQ Latin America Corp. 8200 N.W. 33 Street, Suite 301 Miami, FL 33122 U.S.A. Tel : +1-305-4211200 Fax : +1-305-4211201</p>
---	--	--	--	---	--





# The Ultimate Partner for Effective Meetings

BenQ Interactive Flat Panels are designed to tap into the dynamic possibilities of the meeting room and help businesses develop and maintain an environment where ideas flow freely. Featuring integrated cloud whiteboard capabilities that let employees quickly access their prepared materials, BenQ Interactive Flat Panels are perfect for enhancing meeting participation and fostering collaboration. With BenQ Interactive Flat Panels, your meetings will be more effective and efficient than ever before.

## Annotate and Collaborate Everywhere with the Cloud

Boasting powerful cloud features, EZWrite 5.0 streamlines discussions by letting employees share notes and ideas whether they are in the office, at home, or on a business trip. With BenQ's exclusive AMS service, employees can save materials in the cloud and access them directly from the BenQ IFF, without need for a laptop or smart device.

## Sticky Notes

Packed with user-friendly features, BenQ's EZWrite 5.0 is the leading annotation solution for boosting collaboration and communication during meetings. With the EZWrite Cloud Whiteboard, employees can collect, categorize, edit, and share notes between the IFF and their mobile devices or laptops, ensuring they'll have access to their important materials everywhere.



## Instant Access to the Cloud

EZWrite 5.0 allows users to directly download and upload files to cloud storage, such as Google Drive and Dropbox. Exclusive to EZWrite 5.0, this convenient cloud access makes it easy for employees to modify their materials and bring them everywhere.

\*To use this feature, the user's personal cloud storage must first be connected to BenQ Account Management System (AMS)

### Saving Files with EZWrite 5.0



Step 1. Save your file

Step 2. Choose your cloud storage

### Loading Files with EZWrite 5.0



Step 1. Download a file from your cloud storage

Step 2. Open the file directly in EZWrite 5.0

## Flexible Anytime Annotation

### Adjustable Screen Capture Regions and Easy Import

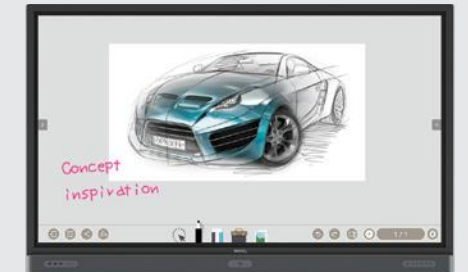
With EZWrite 5.0's Floating Tool, users can capture screen shots of anything on screen, regardless of the source, including content from apps, websites, and videos. They can then import this content into EZWrite 5.0 for further discussion and annotation on a brand new page.



Step 1. Press the Screen Shot button on the Floating Tool



Step 2. Capture on-screen content directly on the IFF



Step 3. Import to EZWrite 5.0 and make annotations



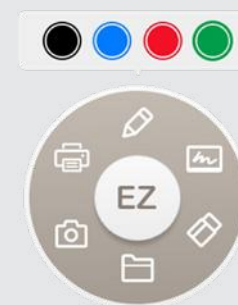
### Dual Pens for Simultaneous Collaboration with Different Colors

EZWrite 5.0 comes with dual pens that allow two users to write or draw simultaneously with different colors, making it ideal for multiple presenters.



### Brush Mode

EZWrite 5.0 is ideal for inspiring great ideas in the meeting room. Using Brush Mode feels just like writing and drawing with actual pens and brushes. It can boost the flow of ideas and let your employees maximize their potential.



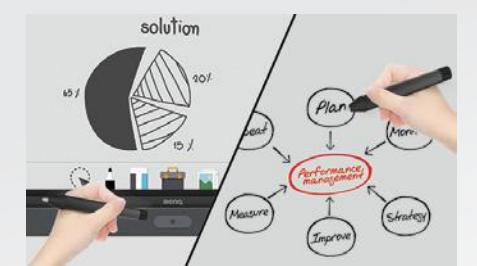
### Floating Tool

EZWrite 5.0's built-in Floating Tool empowers employees to write on top of any app, video, website, document, or image. Whether using Windows, Mac, Chrome, or Android™, users can take notes on top of any on-screen content and save them for later use. Screen capture lets users capture all of the screen or just a part that they select with their fingers. The Floating Tool also offers a smooth writing experience when used with HDMI, VGA, DP, and other signal sources, ensuring maximum flexibility.



### Intelligent Handwriting Recognition

EZWrite 5.0's handwriting recognition feature allows users to instantly convert written text, numbers, forms, and drawings into easily legible digital text without having to switch modes.



### Tap and Create

Users can open EZWrite 5.0 with a simple tap of the IFF's NFC sensor and immediately begin creating notes. Meanwhile, the palm eraser function makes it easy to erase unwanted content. With these efficient note-taking capabilities, capturing the meeting room's attention and keeping employees engaged has never been easier.





## Facilitate Efficient Communication with Friendly Design



### Start Meetings Quickly with BenQ Launcher

To streamline collaborative flow, BenQ Interactive Flat Panels make it easy for users to launch meetings without delay. Created to aggregate all key tools in one hub, BenQ Launcher allows employees to access video input sources or use the EZWrite whiteboard without having to log into their accounts. Users can also use the Sticky Notes feature to post announcements on the display. Additionally, BenQ Launcher comes with a task switcher, letting users switch between recent apps and input signal sources with just a simple touch.

## Maximize Flexibility with Open Sharing



### Multiple Display Application for Ultimate Efficiency

BenQ Interactive Flat Panels support dual display applications via HDMI out, allowing users to share materials on multiple screens and boost employee engagement.



### Multi-Platform Compatibility

BenQ Interactive Flat Panels can work seamlessly with a wide range of computing and mobile devices. Most major operating systems, including Windows, OSX, Linux and Chrome, are supported via the IFP's plug-and-play feature.

### Recommended Apps from BenQ Suggests

BenQ, in partnership with Teamviewer and Blizz, has incorporated several recommended Android™ apps for Interactive Flat Panels into BenQ Suggests. These apps further expand the IFP's potential by simplifying app downloads and updates.



### Facilitate Meeting Flow with Friendly Design

Account Management System for Personalized Workspace.

BenQ's IFPs support multi-account management through NFC technology, which allows users to directly access and manage their personal system settings, network drives and cloud storage such as Google Drive and Dropbox. Users simply can scan BenQ-designed NFC cards and their personal content is ready to access.



### Wireless Solution for Seamless Collaboration

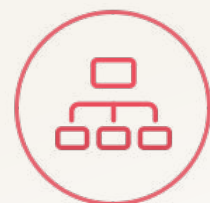
InstaQShare is the software designed for seamless wireless presentation and collaboration that allows smooth streaming of both audio files and Full HD videos. Users can also mirror and control all digital content across the devices including BenQ IFPs, PCs, tablets, and smartphones, empowering contributors to enrich their sessions with a variety of multimedia resources.



### Hands Free Control over the IFP with Voice Assistant\*

The BenQ Interactive Flat Panel offers an extra level of flexibility for device control through Voice Assistant. Voice Assistant lets users control the flow of meetings by allowing them to start timers or search the internet from anywhere in the room. Users can easily control the IFP via voice or remote control, further ensuring efficient meetings and effortless collaboration.

## Hassle-Free Display Management



### MDA (Multiple Display Administrator)

Operators can remotely control display on/off time or backlight via LAN or RS232.



### DMS 1.0 (Display Management System)

Install Android™ apps for a selection of displays with BenQ's cloud server.



### OTA (Over-the-Air) Update

Keep all display drivers current with easy firmware updates.

### Twice the Touch Resolution

BenQ's latest IFPs offer a fine-tuned handwriting experience with advanced IR touch technology that reduces the gap between the touch point and the point displayed on the screen. Additionally, the new series allows users to create more natural handwriting thanks to a new touch frame that recognizes a smaller radius. To avoid accidentally creating cursive handwriting, the new series reduces the pre-touch distance to offer improved touch and writing experiences.



Reduces the gap between the touch point and the point displayed on screen.



Creates more natural handwriting with a new touch frame that recognizes a smaller radius.



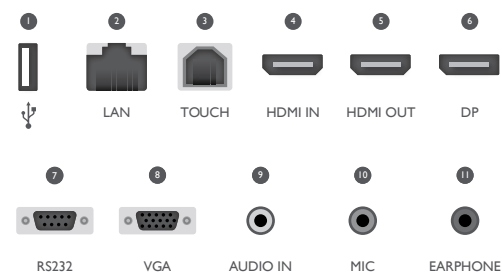
Reduces the pre-touch distance to offer better touch and writing experiences.

# RP series specifications

Model Name	RP6501K	RP7501K	RP8601K	
<b>Panel</b>	Screen Size	65"	75"	86"
	Backlight / Lightsource	DLED	DLED	DLED
	Resolution (Pixels)	UHD 3840x2160 pixels	UHD 3840x2160 pixels	UHD 3840x2160 pixels
	Brightness (Typical)	450 nits	350 nits	400 nits
	Contrast Ratio (Typical)	1,200:1	1,200:1	1,200:1
	Viewing Angle (Horizontal/Vertical)	178°/178°	178°/178°	178°/178°
	Response Time (ms)	6ms	8ms	8ms
	Panel Bit	10 bit	10 bit	10 bit
	Light Life (Typical)	30,000 hours	30,000 hours	30,000 hours
	<b>Power</b>	Voltage	100V-240V, 50/60Hz	100V-240V, 50/60Hz
Typical (Watt)		130W	239W	268W
<b>Touch</b>	Touch Technology	IR Touch	IR Touch	IR Touch
	Numbers of Touch	Up to 20 Point Multi-touch	Up to 20 Point Multi-touch	Up to 20 Point Multi-touch
	Resolution (Points Area Function)	32,767 x 32,767	32,767 x 32,767	32,767 x 32,767
	Touch Interface	x2 (USB type B)	x2 (USB type B)	x2 (USB type B)
<b>Glass</b>	OS Supported	Win 7, Win 8/8.1, Win 10 / Mac OS X 10.11-10.12 / Chrome OS 58 / Ubuntu 16.04 / Fedora 28 / OpenSuse 15 / Android kernel version 3.10 or above	Win 7, Win 8/8.1, Win 10 / Mac OS X 10.11-10.12 / Chrome OS 58 / Ubuntu 16.04 / Fedora 28 / OpenSuse 15 / Android kernel version 3.10 or above	Win 7, Win 8/8.1, Win 10 / Mac OS X 10.11-10.12 / Chrome OS 58 / Ubuntu 16.04 / Fedora 28 / OpenSuse 15 / Android kernel version 3.10 or above
	Tempered Glass	4mm, Tempered Glass	4mm, Tempered Glass	4mm, Tempered Glass
	Anti-Glare (AG) Coating	Yes	Yes	Yes
<b>Audio</b>	Internal Speaker	16Wx2	16Wx2	16Wx2
	Internal Microphone	x4	x4	x4
<b>Connectivity</b>	PC Audio	x1	x1	x1
	MIC (3.5mm)	x1	x1	x1
	Power (AC) Input	x1	x1	x1
	Power Switch	x1	x1	x1
	VGA Input	x1	x1	x1
	HDMI Input	x3 (2.0 x 3)	x3 (2.0 x 3)	x3 (2.0 x 3)
	HDMI Output	x1	x1	x1
	Display Port	x1	x1	x1
	OPS Slot	x1	x1	x1
	USB Player (Photo, Video)	x6 (2.0x5, 3.0x1)	x6 (2.0x5, 3.0x1)	x6 (2.0x5, 3.0x1)
<b>Control</b>	RS232 Input	x1	x1	x1
	RJ45 Port	x1	x1	x1
	Firmware Update	USB/OTA	USB/OTA	USB/OTA
<b>Mechanical</b>	Weight (Without / With Packing) (kg)	50.0 Kg / 62.0 Kg	84.5 Kg / 97.0 Kg	85.5 Kg / 98.0 Kg
	Dimension (WxHxD) (mm)	1521.1 x 967.1 x 136.1 mm	1747.4 x 1095.9 x 133.9 mm	2000.6 x 1241.6 x 141.9 mm
	Wall Mounting (VESA) (mm)	4 holes (500 x 400mm) Screw M6 x 14mm	4 holes (600 x 400mm) Screw M8 x 25mm	4 holes (700 x 400mm) Screw M8 x 25mm
	Handle	x2	x2	x4
<b>RF</b>	Pen Tray	x1	x1	x1
	NFC Reader / Writer	x1	x1	x1
<b>OSD</b>	On-Screen Display Languages	EN/FR/DE/NL/PL/RU/CZ/DN/SW/IT/RO/PT/NO/GR/HU/ES/PT/TC/SC/AB/JP/TH/PERS/VIE/KR (25 Languages)	EN/FR/DE/NL/PL/RU/CZ/DN/SW/IT/RO/PT/NO/GR/HU/ES/PT/TC/SC/AB/JP/TH/PERS/VIE/KR (25 Languages)	EN/FR/DE/NL/PL/RU/CZ/DN/SW/IT/RO/PT/NO/GR/HU/ES/PT/TC/SC/AB/JP/TH/PERS/VIE/KR (25 Languages)
<b>Package / Accessory</b>	Remote Controller	x1	x1	x1
	Power Cord (By Region)	x7 (EU, UK, US, AU, TW, JP, IN)	x7 (EU, UK, US, AU, TW, JP, IN)	x7 (EU, UK, US, AU, TW, JP, IN)
	Audio Cable	N/A	N/A	N/A
	VGA Cable	x1 (1.5m)	x1 (1.5m)	x1 (1.5m)
	HDMI Cable	x1 (1.5m)	x1 (1.5m)	x1 (1.5m)
	Quick Start Guide	x1	x1	x1
	User's Manual Electronic File	x1	x1	x1
	USB Cable for Touch	x1 (3m)	x1 (3m)	x1 (3m)
Touch Pen (Stylus)	x2	x2	x2	
Software License Card	x1	x1	x1	

## Input/output terminals

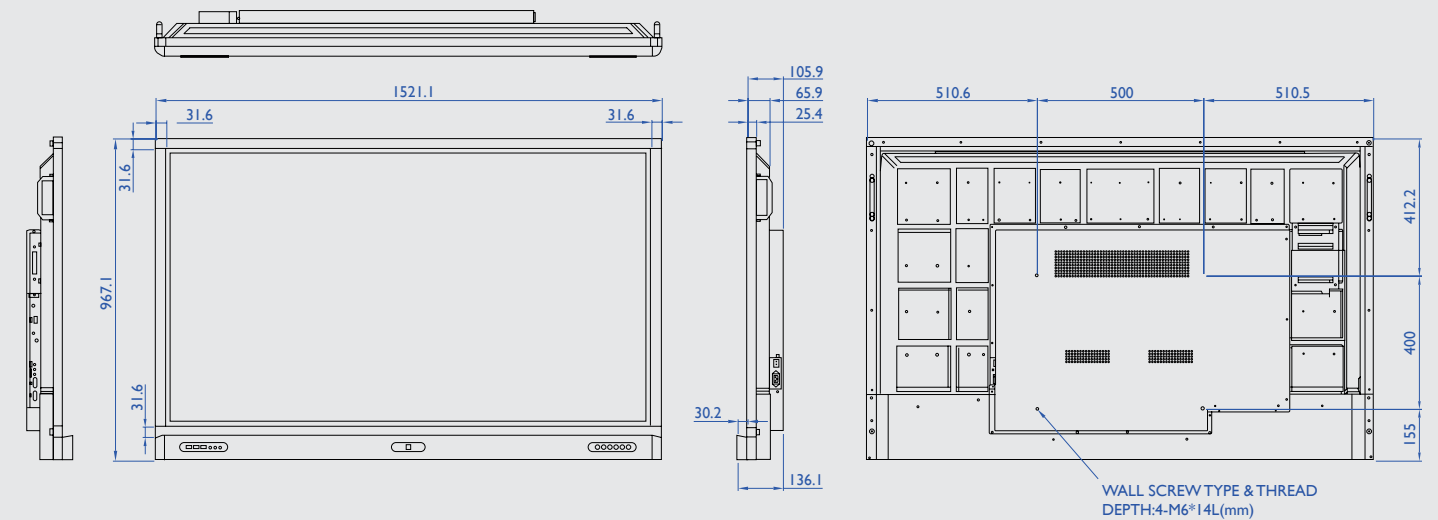
### RP SERIES



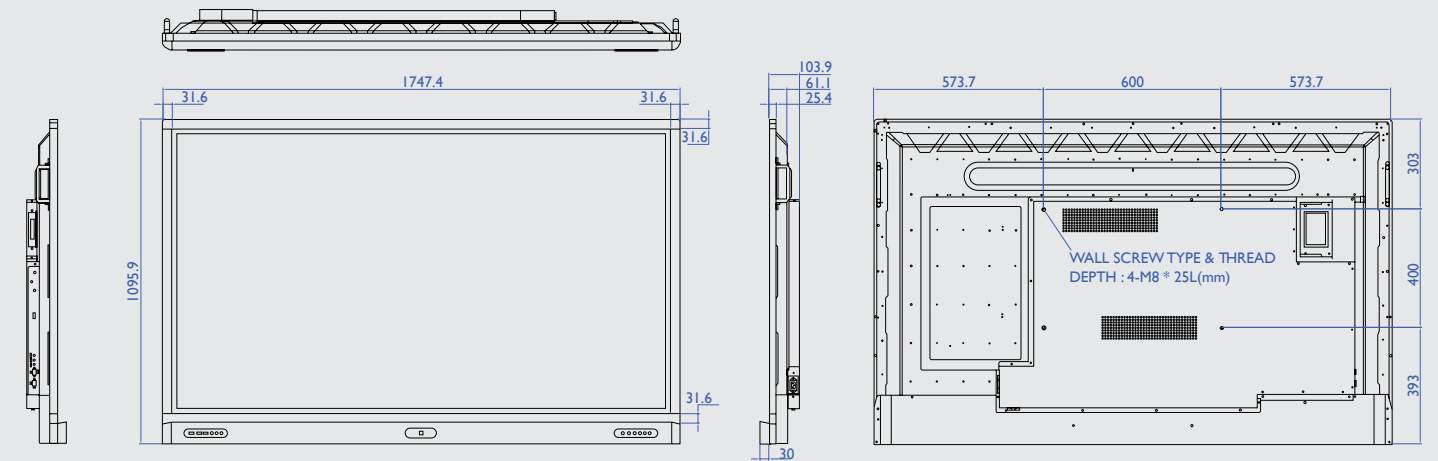
- USB 2.0 X 3**  
Connect USB devices such as USB keyboards, USB mice, and USB flash drives.
- LAN**  
LAN interface, connecting RJ45 terminals. This network port is only used for the closed Android OS on this product.
- TOUCH X 2**  
External computer touch signal input.
- HDMI IN X 3**  
High-definition multimedia interface signal input. Connect to PC with an HDMI output, a set-top-box, or other video devices capable of realizing touch functions.
- HDMI OUT**  
Connect to the display devices with an HDMI input.
- DP**  
Connect a video source to a display device.
- RS232**  
Serial interface, used for mutual transfer of data between devices.
- VGA**  
Receive analog RGB signals from an external device (such as a computer).
- AUDIO IN**  
Receive audio signals from an external device.
- MIC**  
Connect to a microphone.
- EARPHONE**  
Connect to an earphone.

## Dimension

### RP6501K



### RP7501K



### RP8601K

